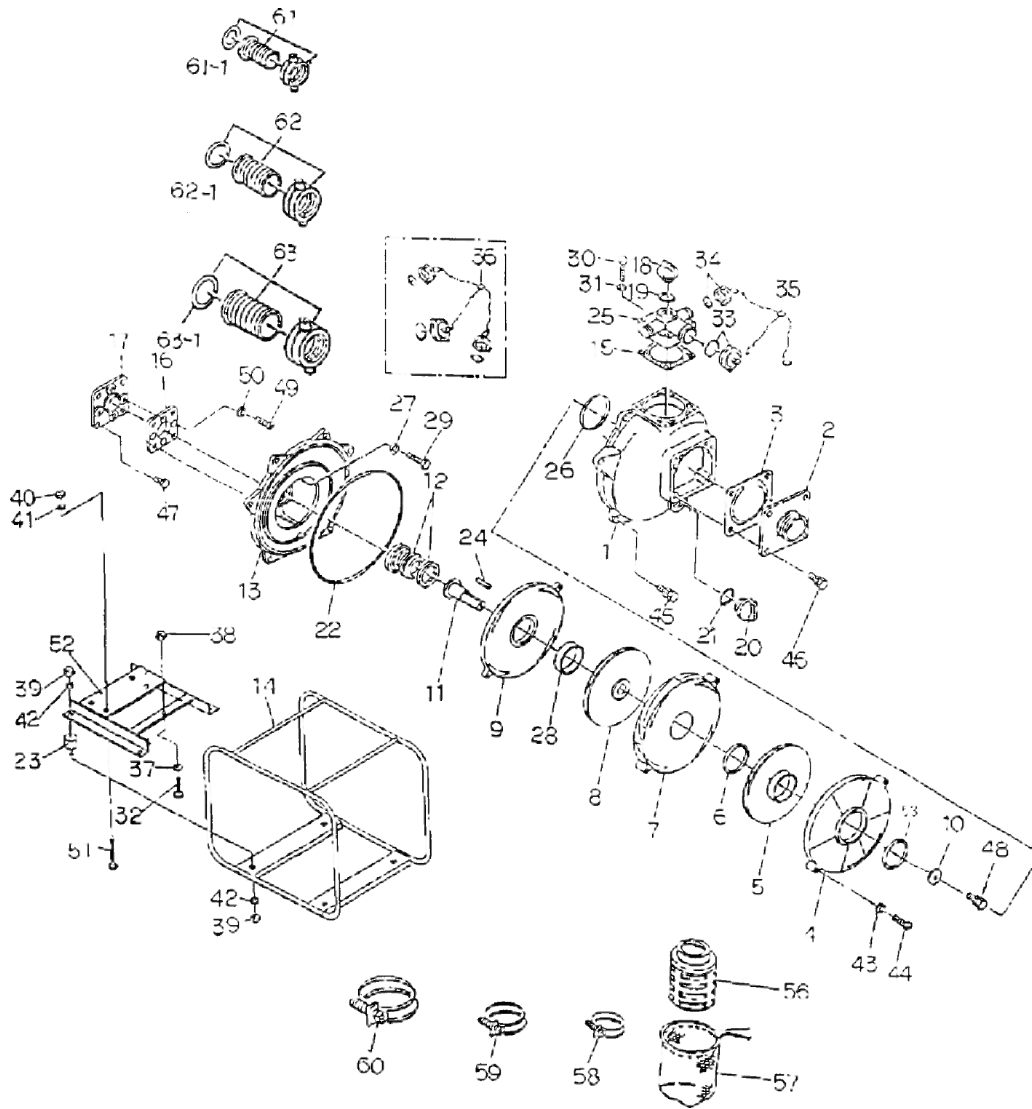




Matsusaka

PARTS LIST : QP-T205SLT



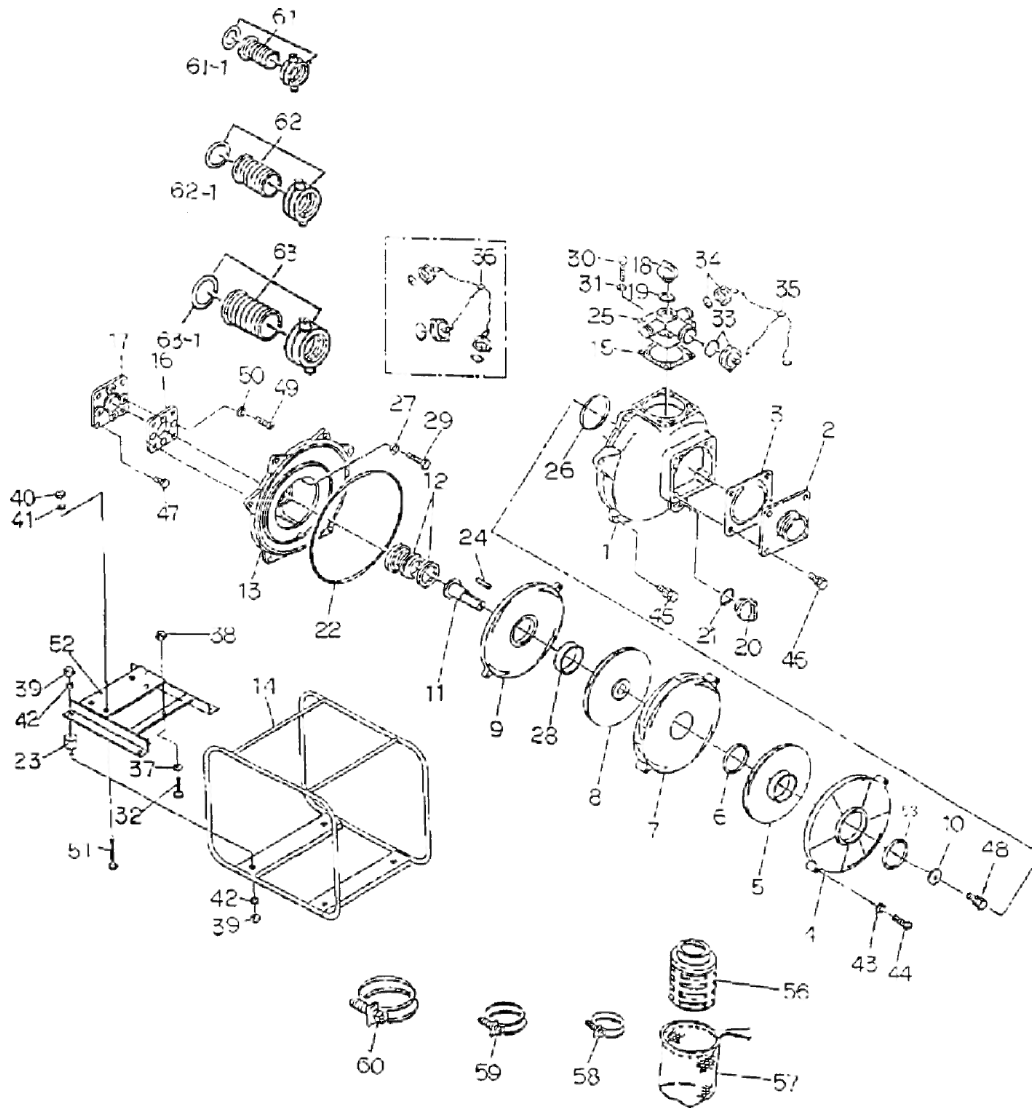
MATSUSAKA ENGINEERING CO., LTD.

NO.	PARTS NO.	PARTS NAME	Q'TY	MATERIAL
	GX270	ENGINE		
1	4364-100010	CASING	1	ADC
2	1803-100160	SUCTION COVER	1	ADC
3	1378-350350	CHECK VALVE	1	NBR+SS400
4	7207-060130	VOLUTE CASING	1	AC
5	7207-060040	IMPELLER	1	AC
6	1878-081290	LINER RING 2	1	BC
7	7207-060110	VOLUTE CASING 2	1	AC
8	7207-060030	IMPELLER 2	1	AC
9	7207-060120	VOLUTE CASING 3	1	AC
10	7207-251240	IMPELLER WASHER	1	SUS
11	1878-221010	PUMP SHAFT	1	S45C
12	080611-3325	MECHANICAL SEAL	1	CERAMIC× CARBON
13	4359-100020	CASING COVER	1	ADC
14	1867-214010-0004	FRAME	1	SS400
15	1803-330360	DELIVERY COVER PACKING	1	NBR
16	1369-000600-0011	CASING COVER SET PLATE-A	1	FC
17	1369-000630-0011	CASING COVER SET PLATE-B	1	FC
18	063121-1100ASSY	FLOODING CAP WITH O-RING	1	ABS
19	048035-0300	O-RING (FLOODING CAP)	1	NBR
20	063121-1100ASSY	DRAIN CAP WITH O-RING	1	ABS
21	048035-0300	O-RING (DRAIN CAP)	1	NBR
22	048935-2550	O-RING (CASING)	1	NBR



Matsusaka

PARTS LIST : QP-T205SLT



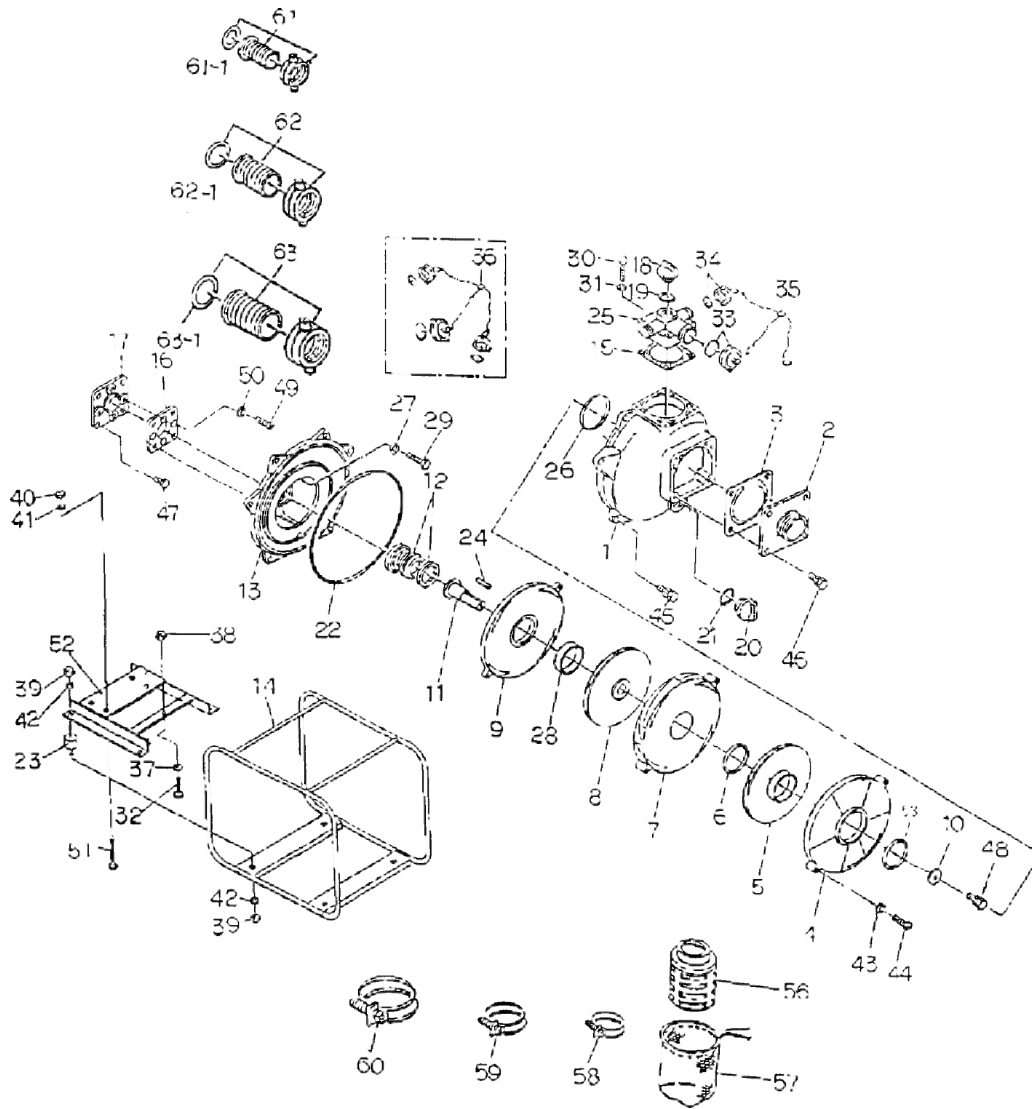
MATSUSAKA ENGINEERING CO., LTD.

NO.	PARTS NO.	PARTS NAME	Q'TY	MATERIAL
23	072330-2040	CUSHION RUBBER	4	NBR+SS400
24	051004-0443	KEY	1	S45C
25	1814-100091	DELIVERY COVER (3 WAY OUTLET)	1	ADC
26	048220-0750	O-RING (VOLUTE CASING)	1	NBR
27	045822-0080	SEAL WASHER	4	SUS+NBR
28	1803-521220	LINER RING	1	DURACON
29	010505-0820	BOLT	4	SS400
30	010505-0840	BOLT	4	SS400
31	045125-0080	SPRING WASHER	4	SWRH
32	010505-0850	BOLT	1	SS400
36	1814-209660ASSY	BALL CHAIN WITH CAP	1	AC+SS
37	045125-0080	SPRING WASHER	1	SWRH
38	020545-0080	NUT	1	SS400
39	020545-0100	NUT	8	SS400
40	020545-0100	NUT	4	SS400
41	045125-0100	SPRING WASHER	4	SWRH
42	045125-0100	SPRING WASHER	8	SWRH
43	045129-0060	SPRING WASHER	2	SUS
44	010509-0640	BOLT	2	SUS
45	018105-0825	BOLT SET WITH SPRING WASHER	6	SS400
46	018105-0825	BOLT SET WITH SPRING WASHER	4	SS400
47	018105-0820	BOLT SET WITH SPRING WASHER	4	SS400
48	018109-0820	BOLT SET WITH SPRING WASHER	1	SUS



Matsusaka

PARTS LIST : QP-T205SLT



MATSUSAKA ENGINEERING CO., LTD.

NO.	PARTS NO.	PARTS NAME	Q'TY	MATERIAL
49	014105-0815	SCREW	4	SS400
50	045125-0080	SPRING WASHER	4	SWRH
51	010505-1045	BOLT	4	SUS
52	1867-214021-0004	ENGINE BASE	1	SS400
53	7207-081300	LINER RING 3	1	BC
56	074230-1050R	STRAINER	1	PE
57	092031-2013	NYLON NET	1	NYLON
58	093225-1000	WIRE HOSE BAND	2	SWRM
59	093225-1120	WIRE HOSE BAND	1	SWRM
60	093225-2000	WIRE HOSE BAND	2	SWRM
61	074111-9025	HOSE COUPLING SET	2	PE
61-1	074131-0321	HOSE COUPLING PACKING	2	NBR
62	074111-8040	HOSE COUPLING SET	1	PE
62-1	074131-0481	HOSE COUPLING PACKING	1	NBR
63	074111-7050R	HOSE COUPLING SET	1	ADC
63-1	074131-0501	HOSE COUPLING PACKING	1	NBR